

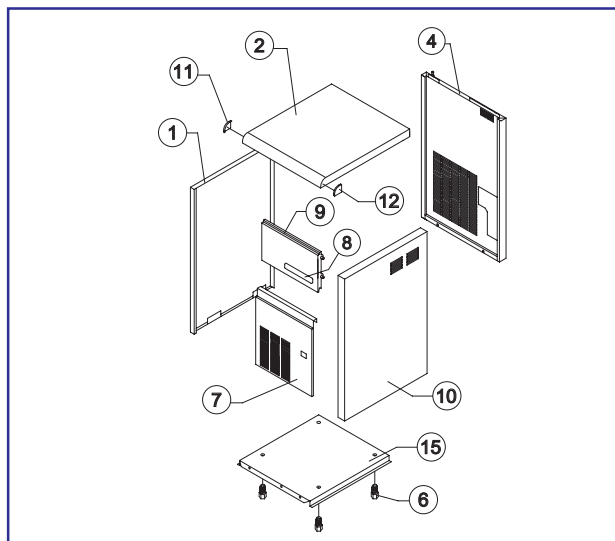
SL 35

LIST OF THE EXPLODED VIEWS

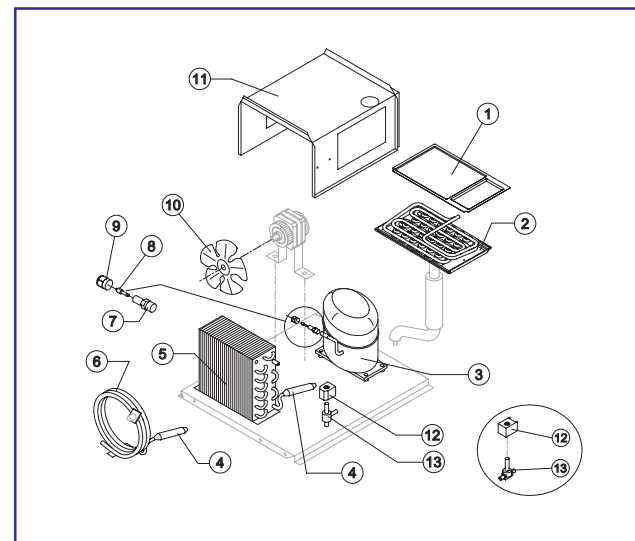
Rev. 12 - 16/5/2013



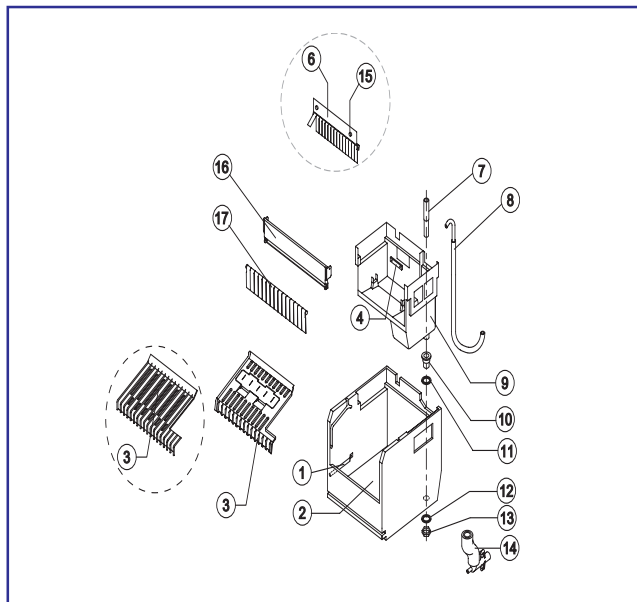
SHELL ASSY



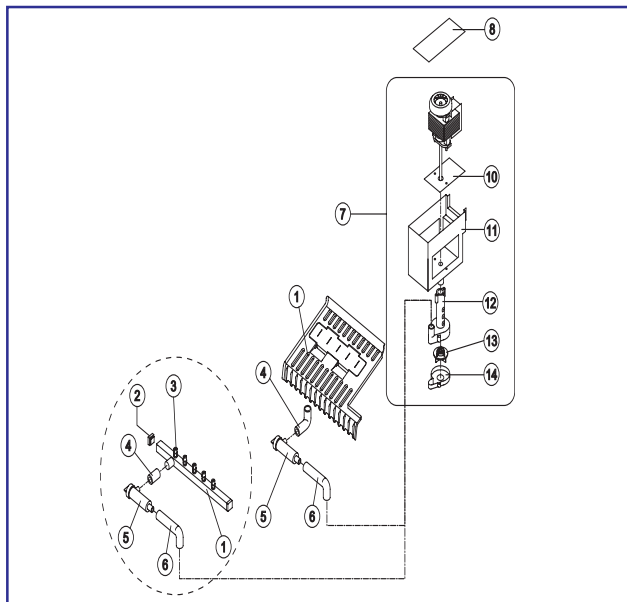
COOLING SYSTEM



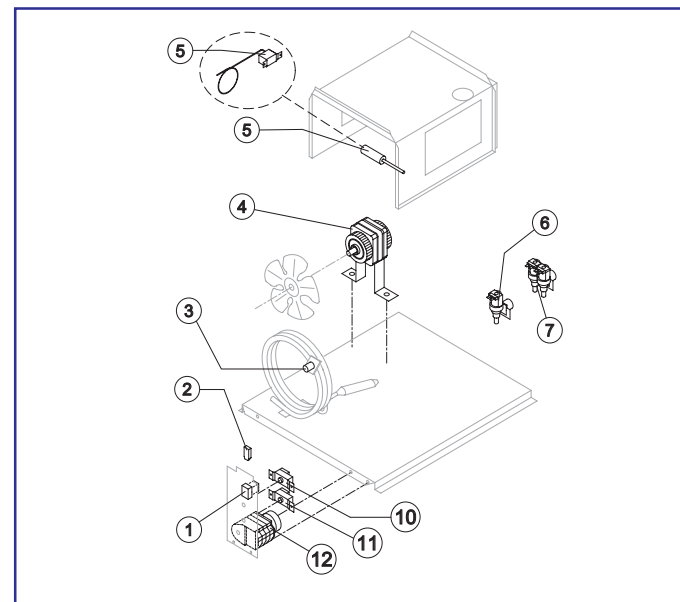
HYDRAULIC CIRCUIT

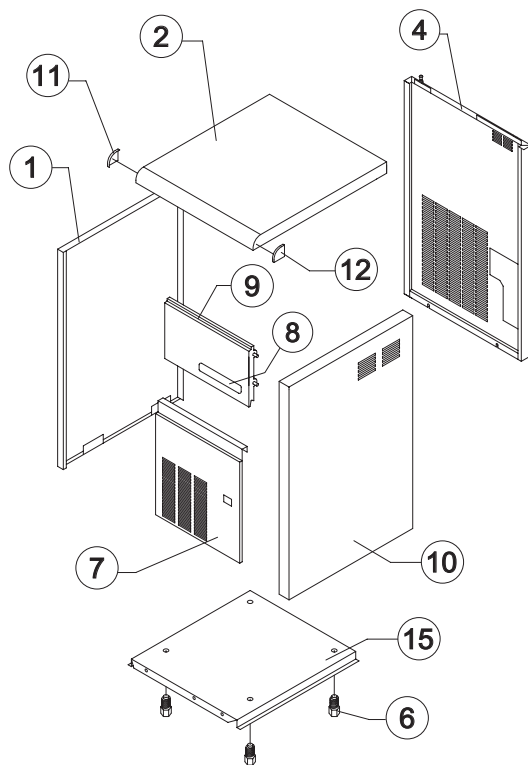


SPRAYER PUMP



ELECTRIC PARTS





Ref.	Spare Description	Code	
1	Left Side Panel Assembly	N22713	
2	Top Assembly	NC22834GR	
4	Grey Rear Panel	N21290	
6	Foot	N10017	
7	Front Panel	Current Version	N221070
7	Front Panel	Till s/n. 385216	N22700
10	Right Side Panel Assembly	N22712	
8	Resinate Logo	N24468	
9	Door	N10378	
11	Left Top Protection	N10323GR	
12	Right Top Protection	N10324GR	
15	Base Plate	N21062	

Common Parts

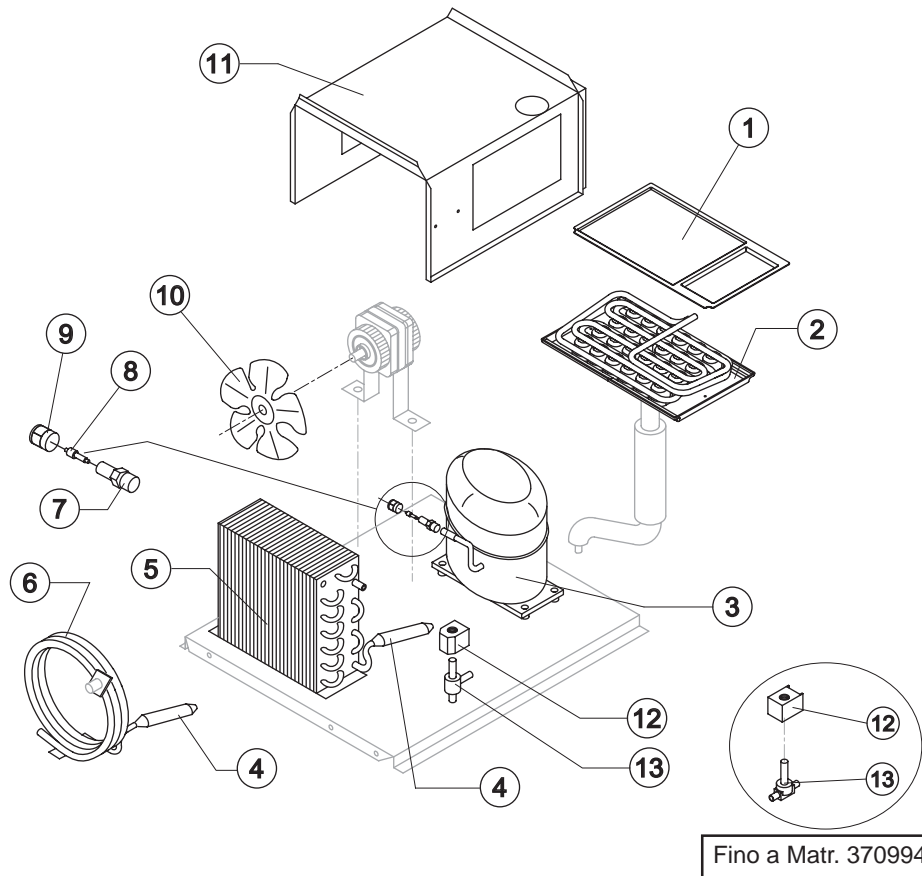
Ref.	Spare Description	Code	
1	Evaporator Cover Panel	Current Version	N10498
1	Evaporator Cover Panel	Till s/n. 230066	N10076
2	Evaporator Assy		ND10079
3	Compressor	See Table	-
4*	Molecular Drier		N14009
7	Vacuum-Charge Valve Body		N14007
8*	Vacuum-Charge Valve Device		N14005
9*	Vacuum-Charge Valve Plug		N14006
11	Bin Support Frame		N22095
12*	Hot Gas Valve Coil	See Table	-
13*	Hot Gas Valve Body	Current Version	N20853
13	Hot Gas Valve Body	Till s/n. 370994	N20410

Parts for Air-Cooled Version Only

Ref.	Spare Description	Code
5	Air Condenser	N20094
10	Sucking Fan	N20095

Parts for Water-Cooled Version Only

Ref.	Spare Description	Code	
6	Water Condenser	Current Version	N14593
6	Water Condenser	Till s/n. 370994	N14348
10	Sucking Fan	Till s/n. 370994	N10213

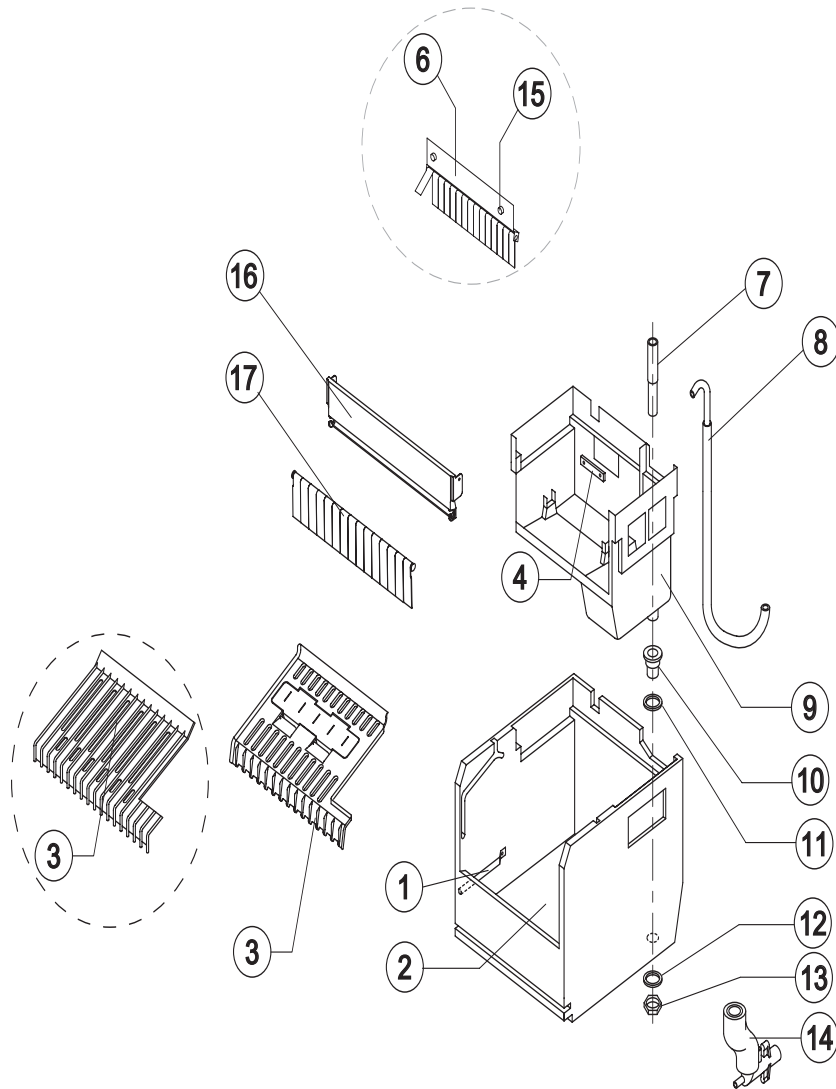


Ref. 3 -Compressor

Tension	Code	
	Current Version	Till s/n. 416883
220/240V 50 Hz	N23886	N23436
220/230V 60 Hz	N23494A	N23494A
110/115V 60 Hz	N231036	N231036

Ref. 12* - Hot Gas Valve Coil

Tension	Code	
	Till s/n. 370994	Current Version
220/240V 50 Hz	N23091	N23854
220/230V 60 Hz	N23091	N23854
110/115V 60 Hz	N23256	N23855



Till s/n. 567305

Common Parts

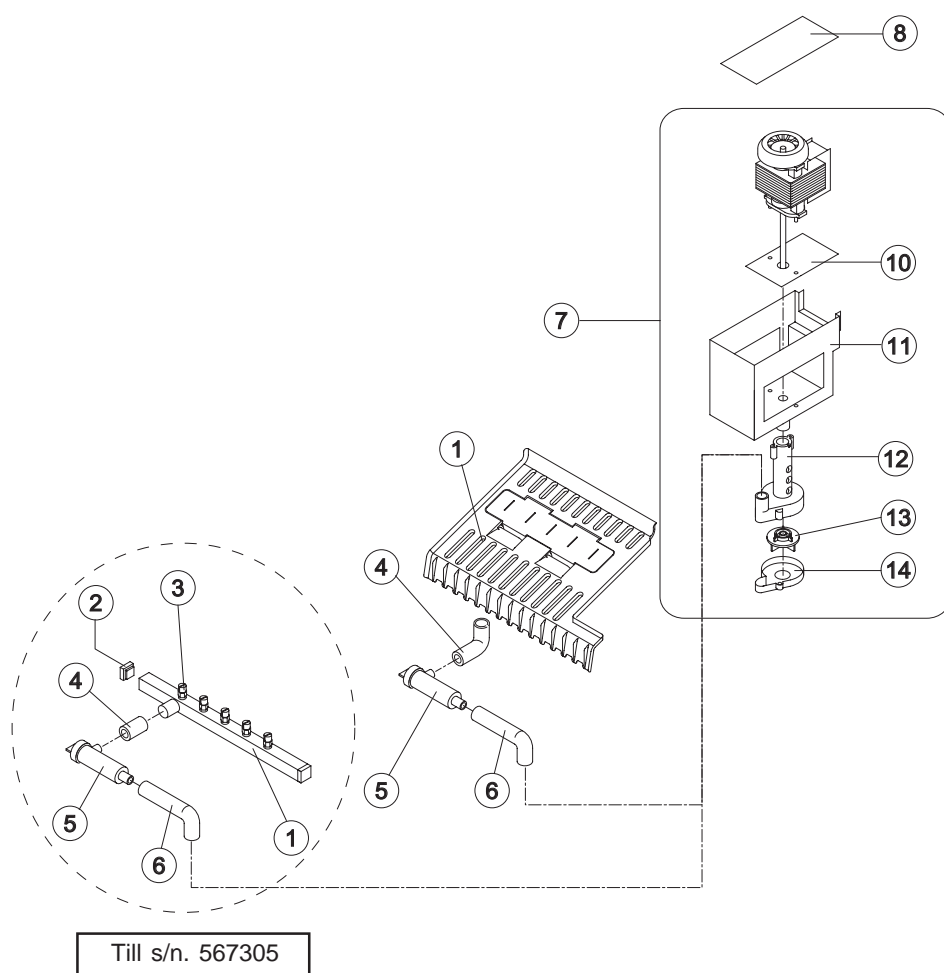
Ref.	Spare Description	Code
1	Bulbe- holder pipe	N20520
2	Foamed Bin	NR11016/E
3	Ice Cubes Slide	Current Version NC10626
3	Ice Cubes Slide	Till s/n. 567305 N10136
4	Slide Keep Plate	N10142
6	Panel with Flags	Till s/n. 380376 NC22106
7*	Overflow Pipe	N13028
8*	Evaporator Feeding Pipe Assy	NC13126
9	Inner Basin	N10064
10	Water Outlet Nipple	N10472
11	Silicone Gasket	N13006
12	Semirigid Polyethylene Gasket	N13007
13	Bin Discharge Nut	N10096
15	Fixing Screw	Till s/n. 380376 N20009
16	Flags ABS Support	Current Version N10530
17	Flags with Rod	Current Version NC10532

Parts for Air-Cooled Version Only

Ref.	Spare Description	Code
14	Discharges Manifold	NC10006

Parts for Water-Cooled Version Only

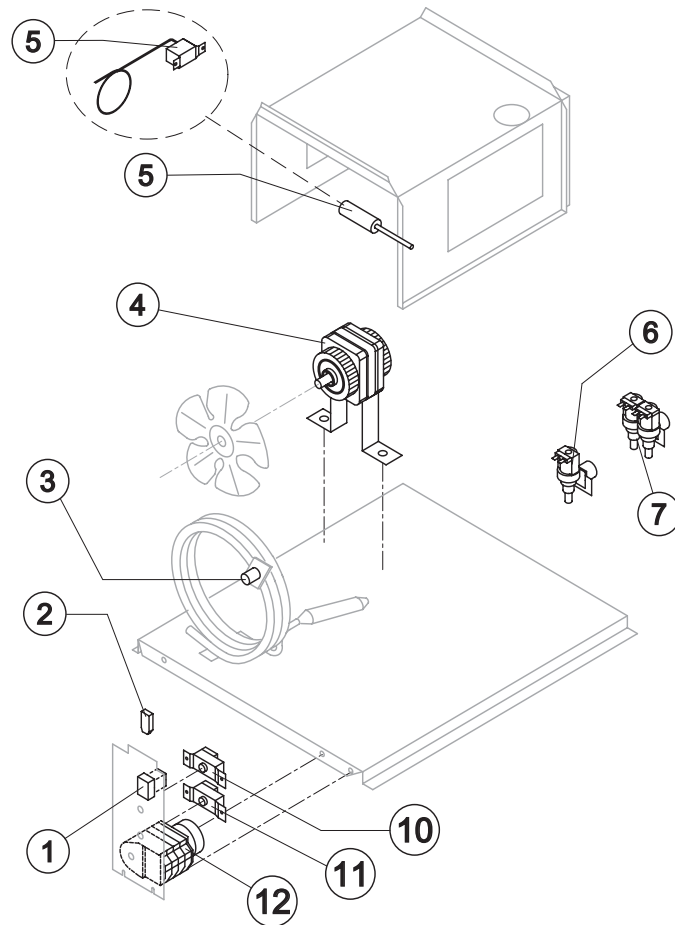
Ref.	Spare Description	Code
14	Discharges Manifold	NC26452



Ref.	Spare Description		Code
1*	Sprayers Bar Assembly	Current Version	NC10626
1*	Sprayers Bar Assembly	Till s/n. 567305	NC20147
2	Sprayers Bar Plug	Till s/n. 567305	N10012
3	Sprayers	Till s/n. 567305	ND20002
4	Filter-Sprayers Bar Connection Pipe	Current Version	N13005
4	Filter-Sprayers Bar Connection Pipe	Till s/n. 567305	N13056
5*	Pump Filter		N10139
6	Pump-Filter Connection Pipe		N13055
7*	Pump Assy	See Table	-
8	Pump Cover		N10647
10	Heat Dissipator		N22430
11	Pump Motor Box		N10073
12	Pump Body		N10065
13	Pump Impeller		N10066
14	Diffusor		N10067

Ref. 7* - Pump Assy

Tension	Code	Code
	Current Version	Till s/n. 416883
220/240V 50 Hz	NC23858	NC23076
220/230V 60 Hz	NC23892	NC23270
110/115V 60 Hz	NC23893	NC23271



Common Parts

Ref.	Spare Description	Code
1*	Green Light Switch (On-Off)	Current Version
1	Green Light Switch (On-Off)	Till s/n. 385216
10*	Bin Thermostat	NR23005
11*	Evaporator Thermostat	NR23591
12*	Timer	See Table

Parts for Air-Cooled Version Only

Ref.	Spare Description	Code
4*	Fan Motor	See Table
6*	1 Way- Water Inlet Valve	See Table

Parts for Water-Cooled Version Only

Ref.	Spare Description	Code
2	Anti Radio Interference Filter	Only 220V 50 Hz
3*	Safety Thermostat	NC23114
4	Fan Motor	Till s/n. 370994
5*	Condenser Pressure Switch	Current Version
5	Condenser Pressure Switch	Till s/n. 447841
7*	2 Ways- Water Inlet Valve	See Table

Ref. 4* - Fan Motor

Tension	Code
220/240V 50 Hz	N23029
220/230V 60 Hz	N23029
110/115V 60 Hz	N23683

Ref. 6* - 1 Way- Water Inlet Valve

Tension	Code
220/240V 50 Hz	N23497
220/230V 60 Hz	N23497
110/115V 60 Hz	N23499

Ref. 7* - 2 Ways- Water Inlet Valve

Tension	Code
220/240V 50 Hz	N23498
220/230V 60 Hz	N23498
110/115V 60 Hz	N23500

Ref. 12* - Timer

Tension	Code
220/240V 50 Hz	N23247
220/230V 60 Hz	N23247
110/115V 60 Hz	N23258